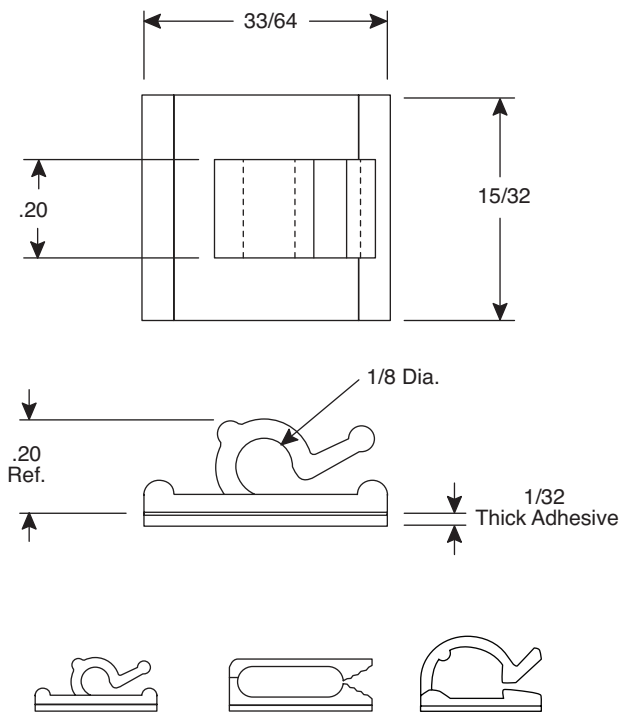


Date Last Revised: 11-15-10

DIMENSIONS: IN.



EPD Adhesive backed nylon wire and cable clips are used to route wires and cables. The parts are backed with polyethylene foam tape, and feature a releasable clip so wires can be removed after assembly if desired. Parts are stocked in natural. When ordering black parts, add the letter "B" to the end of the part number.

SPECIFICATIONS	
Material:	Molded in Natural Nylon 6/6
RoHS Compliant	

ADHESIVE SPECIFICATIONS	
Life Cycle:	24 months from date of mfg.
Temp. Resistance:	180°F short term; 158°F long term
Normal Tensile:	60 lb.

Part Number	Description	Color
561-AWC00125	Adhesive Backed Wire Clip	Natural
561-AWC00125B	Adhesive Backed Wire Clip	Black

Available from Mouser Electronics
1-800-346-6873 / www.mouser.com

EPD-200893